



# MOVE-MOD™ Series

True modularity in a circular interconnect.  
Delivering power, signal and data in a single connector.

MOVE-MOD is a unique modular circular connector series for today’s increasingly connected world.

The MOVE-MOD™ series provides the ultimate in modularity and flexibility by utilizing a range of snap-in modules that enables a variety of contact layouts and the ability to deliver power, signal and data in the same connector. Toolless assembly and installation makes MOVE-MOD extremely quick and simple to work with, and the minimized component requirement delivers cost and time efficiencies throughout the supply chain. A unique ultra-secure bayonet coupling mechanism with secondary locking and a circular form factor that minimizes weight and footprint size means you can rely on MOVE-MOD to deliver – when it matters most.



**The Veam Difference:**

- Global capabilities and local support
- Proven application expertise
- Over 60 years interconnect leadership
- A committed innovator and business partner

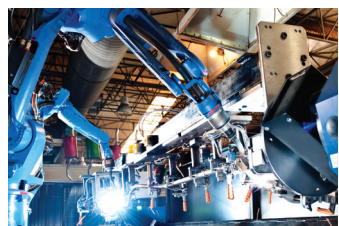
**Key Features:**

- Power, signal and data in a single connector
- Minimized component requirement delivers time and cost efficiency
- Quick and simple toolless assembly and installation
- IP67 environmental sealing
- Unique ultra-secure bayonet coupling with secondary locking
- Minimized weight and a space-saving footprint
- RoHS compliant ruggedized plating options including Blue Generation (T240) and Black Hard Anodized (T89)

## Example Applications



HEAVY & OFF-ROAD VEHICLES



AUTOMATION & ROBOTICS



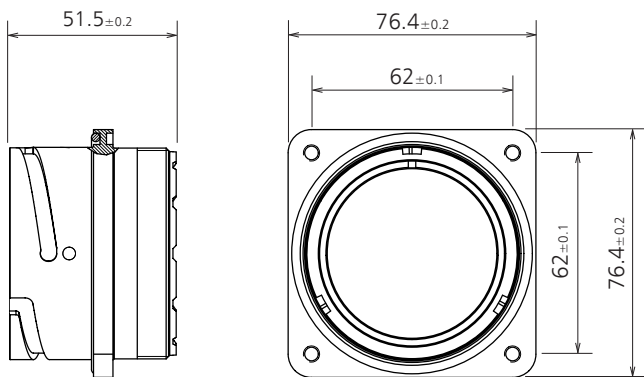
ENERGY & POWER DISTRIBUTION



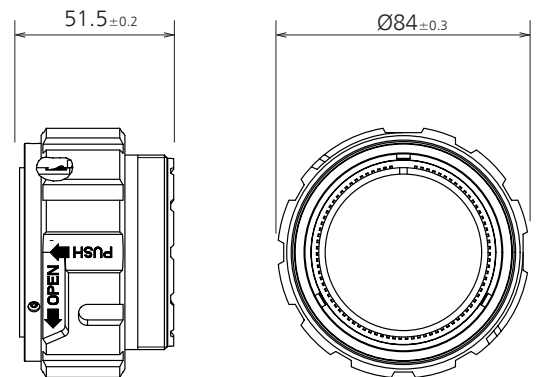
RAIL

## Dimension Drawings

### RECEPTACLE



### PLUG



All dimensions in mm.



## Why ITT

ITT is a focused multi-industrial company that designs and manufactures highly engineered critical components and customized technology solutions. Veam connector products are relied on by global customers in multiple end markets. ITT's Connector business, which also includes the Cannon and BIW Connector Systems brands, manufactures and supplies a variety of connectors and interconnects that make it possible to transfer data, signal and power in an increasingly connected world.

Connect with your Veam representative today or visit us at [www.ittcannon.com](http://www.ittcannon.com)

Follow us

**CHINA - Shenzhen City**  
+86.755.2726.7888

**GERMANY - Weinstadt**  
+49.7151.699.0

**ITALY - Lainate**  
+39.02938721

**KOREA**  
+82.2.702.7111

**SHANGHAI**  
+ 86.21.2231.2222.2

**UK - Basingstoke**  
+44.1256.347400

**FRANCE**  
+33.1.60.04.93.93

**HONG KONG**  
+852.2732.2720

**JAPAN - Kanagawa**  
+81.462.57.2010

**MEXICO - Nogales**  
+52.631.311005

**SINGAPORE**  
+65 66974205

**USA - Irvine, CA**  
+1.800.854.3028